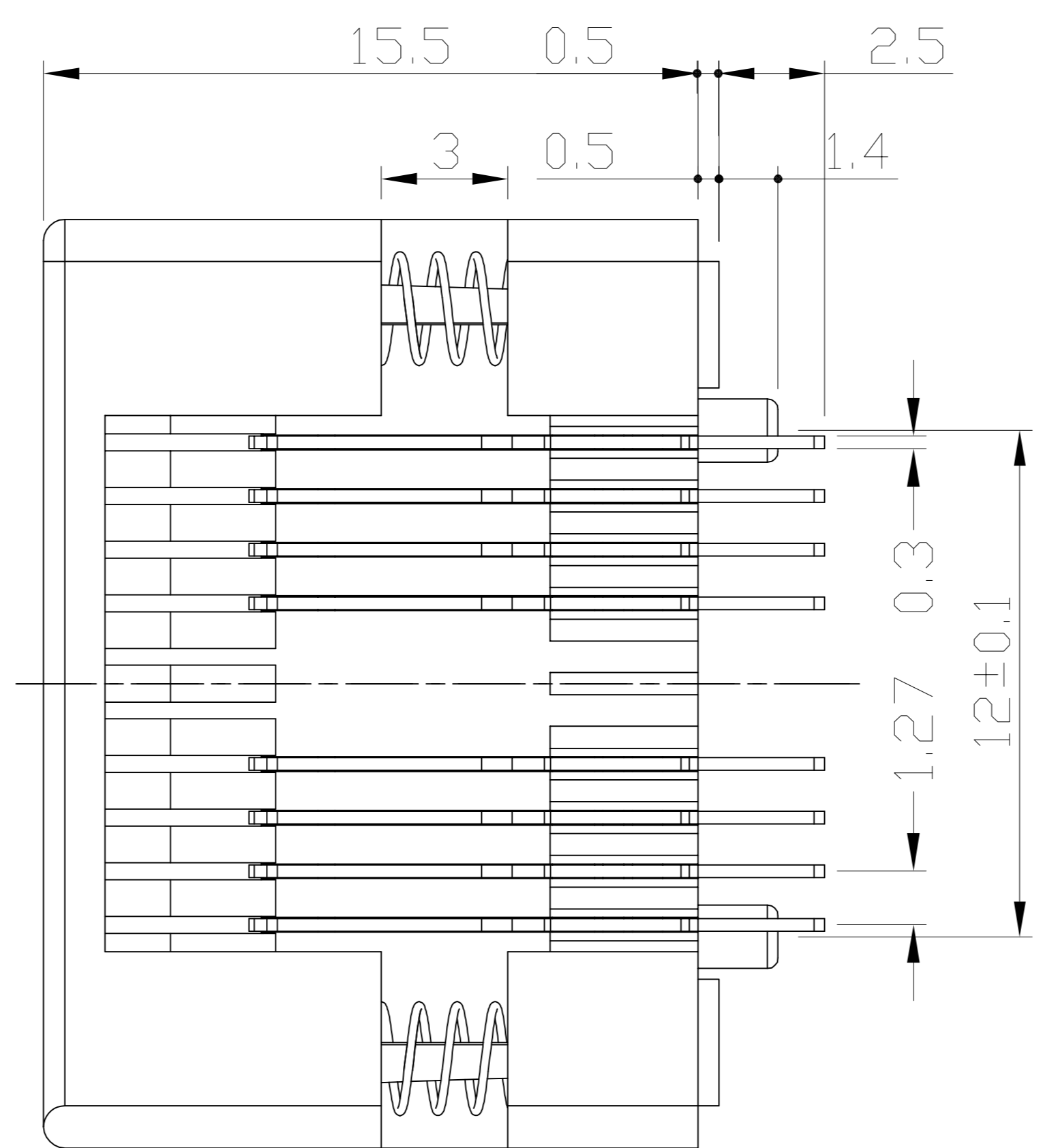
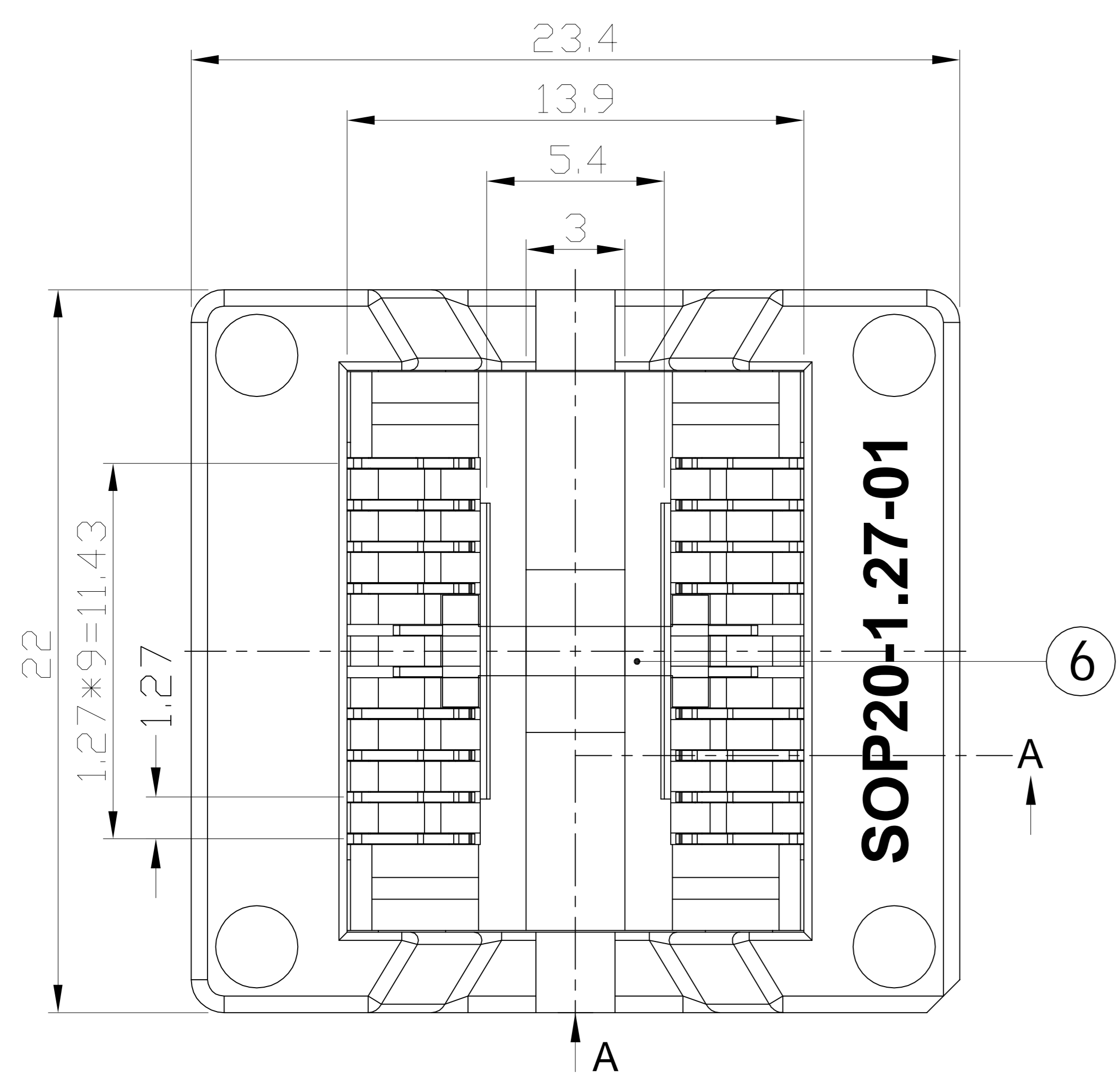
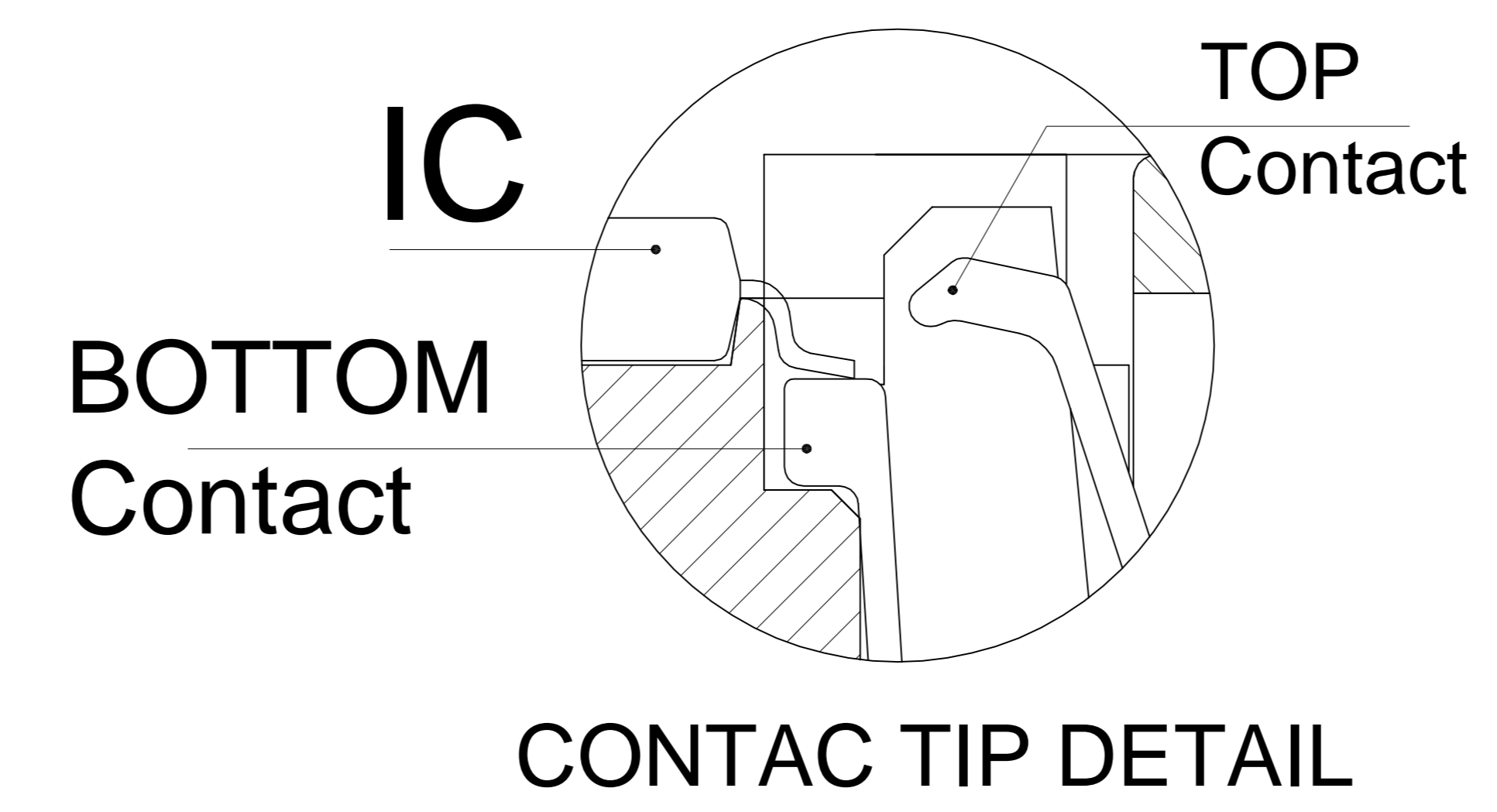
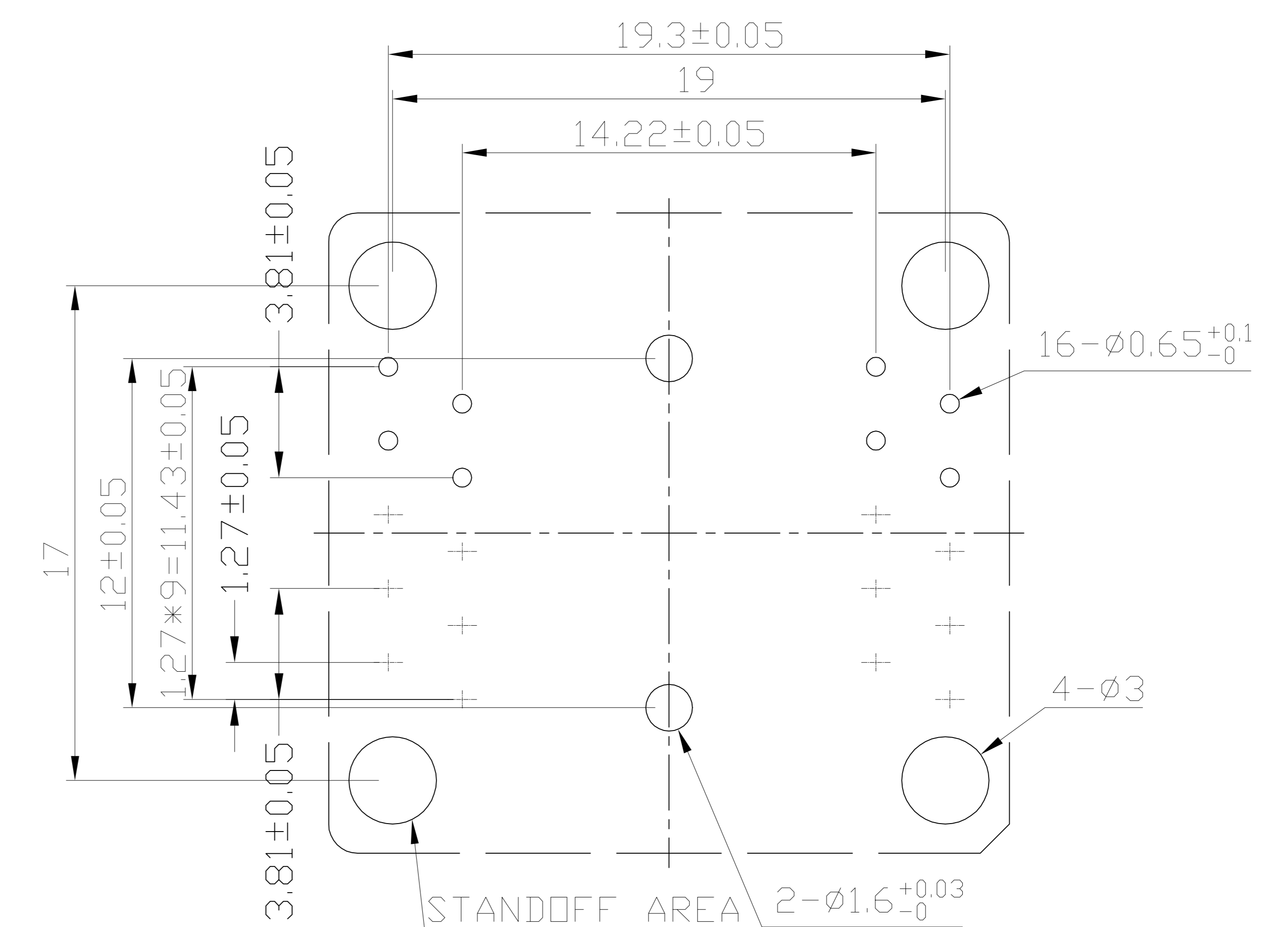


REVISION	DESCRIPTION	CHECK	APP	DATE	REV. NOTICE. NO
△ 1					
△ 2					
△ 3					



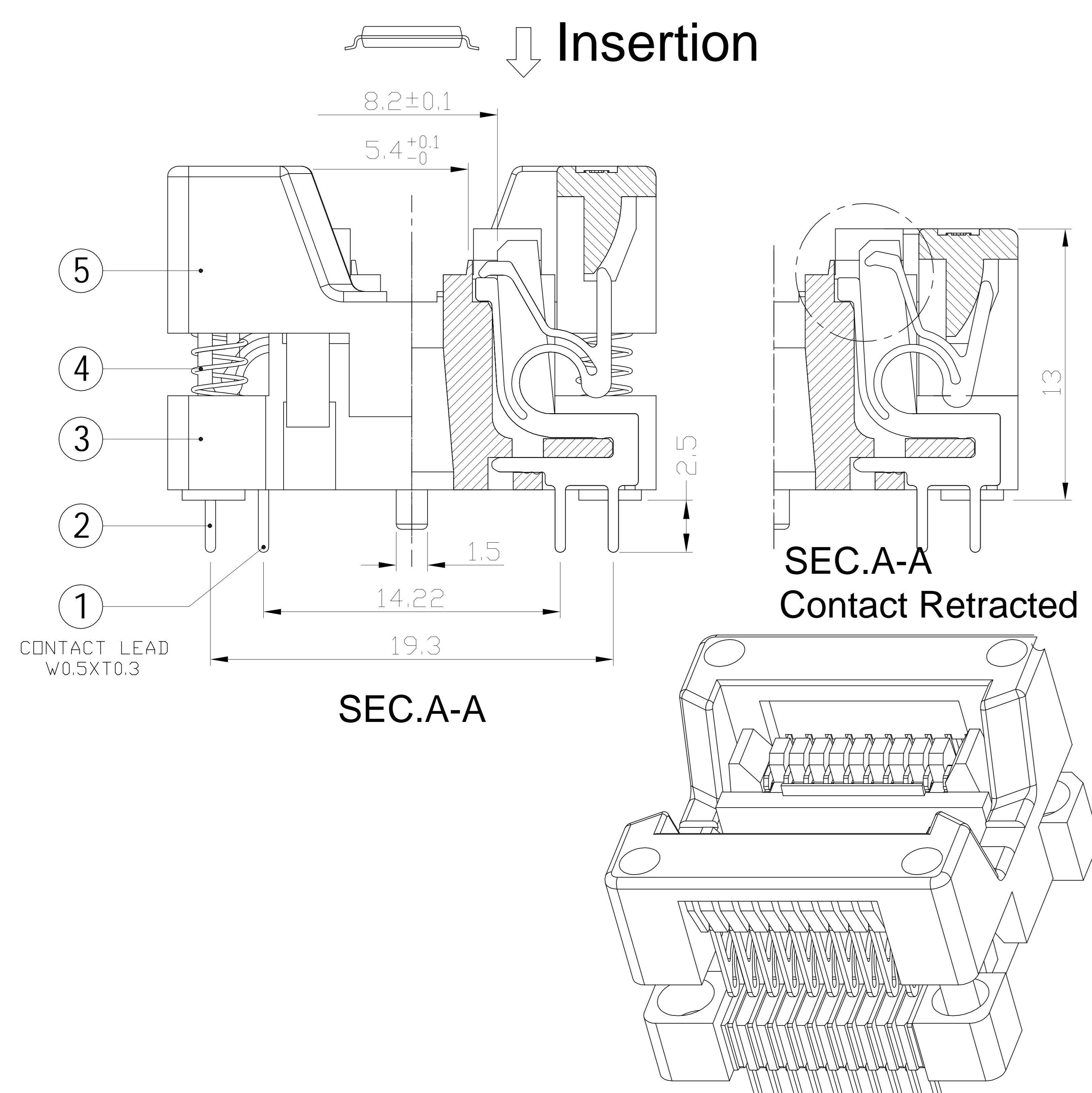
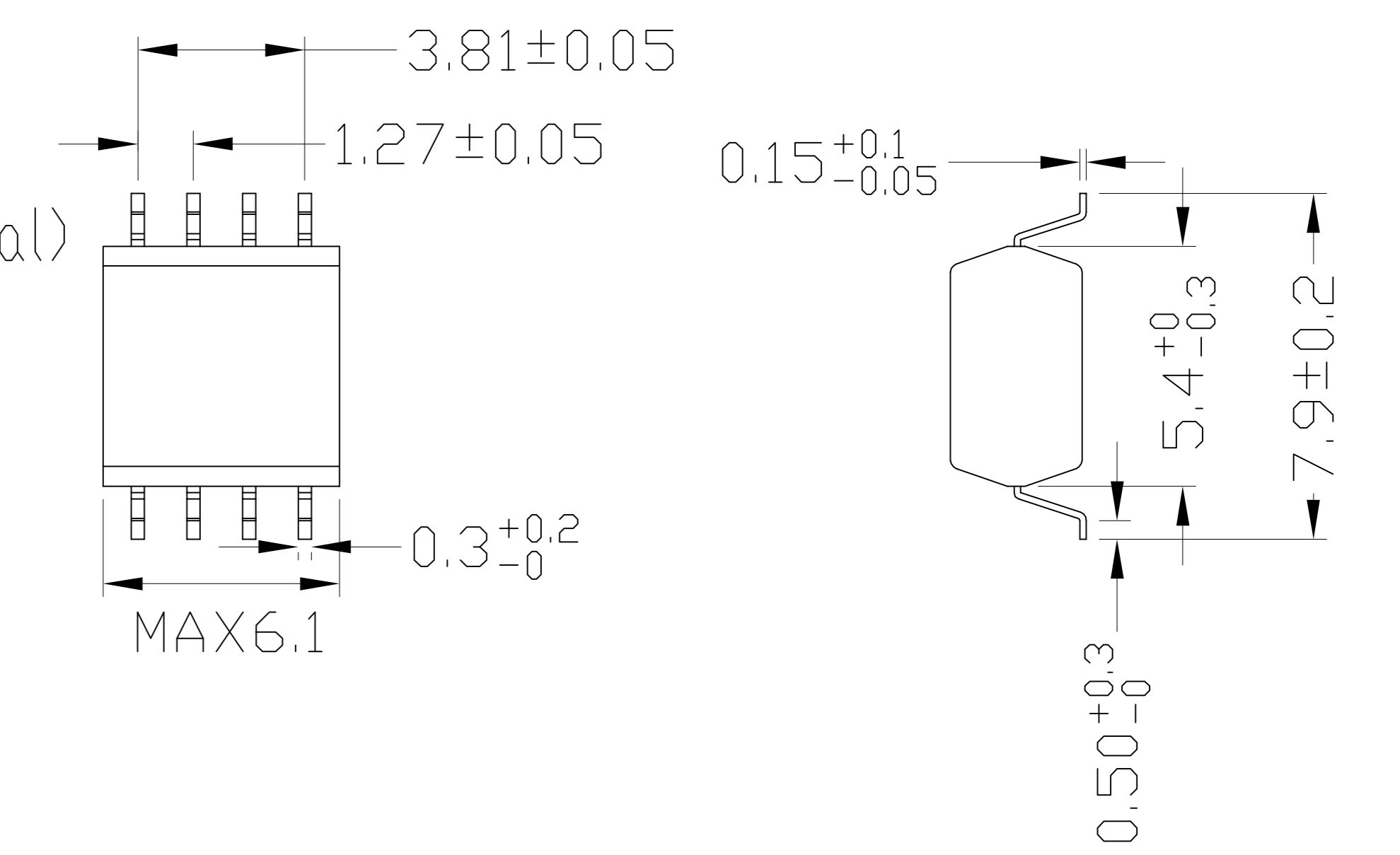
PCB PATTERN (TOP VIEW)



PERFORMANCE

1. Insulation Resistance: 1000mΩ Min.At DC 500V
2. Dielectric Withstanding Voltage For 1 Minute At AC 700V
3. Contact Resistance 30mΩ MAX. at 10mA and 20mV MAX.(Initial)
4. Current Rating: 1A max.
5. Operation Temperature -55°C ~+175°C
6. Contact Force 5-8g Per Pin (Normal)
7. Life Span 15,000 Times (Mechanical)
8. Operation Force 1.0 Kg MAX

APPL ICABLE IC



6	SOP-20-U01-003	ADAPTER	PEI/PES	1	BLACK
5	SOP-20-U01-002	COVER	PEI/PES	1	BLACK
4	30-B-4515X	SPRING	SUS	4	FDR COVER
3	SOP-20-U01-001	BASE	PEI/PES	1	BLACK
2	SOP-20-MSBR-02	CONTACT	BeCu	8	Au PLATING
1	SOP-20-MSBR-01	CONTACT	BeCu	8	Au PLATING
No	Part Number	Name	Material	Q/ty	Note

PROJECTION	GENERAL TOLERANCES	TITLE
	±0.10	PA-SOCKET-SOICW-8-1.27
DIMENSION:	SCALE: 1:1	CLASS
APP:	DATE:	PROTO ADVANTAGE®
CHECK:	DATE:	
DEGK:	DATE: 2023-07-12	