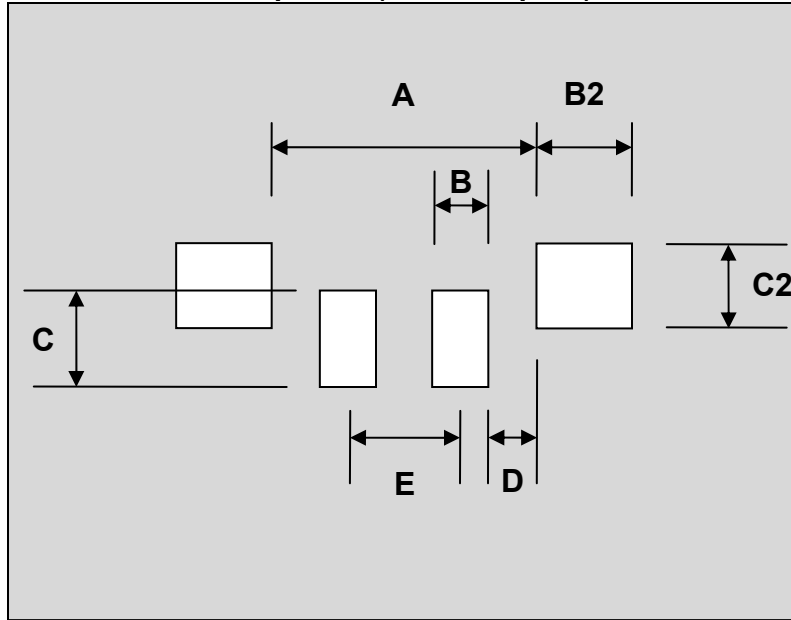


LED-4 Stainless Steel Stencil (0.8 mm pitch, 3 x 1 mm body)

DIMENSIONS						
REF.	mm			inches		
	MIN.	TYP.	MAX.	MIN.	TYP.	MAX.
A		2.00				
B		0.40				
C		0.80				
B2		1.00				
C2		0.90				
D		0.40				
E		0.80				

Top View (SMT Footprint)



(Representative drawing only - not to scale)