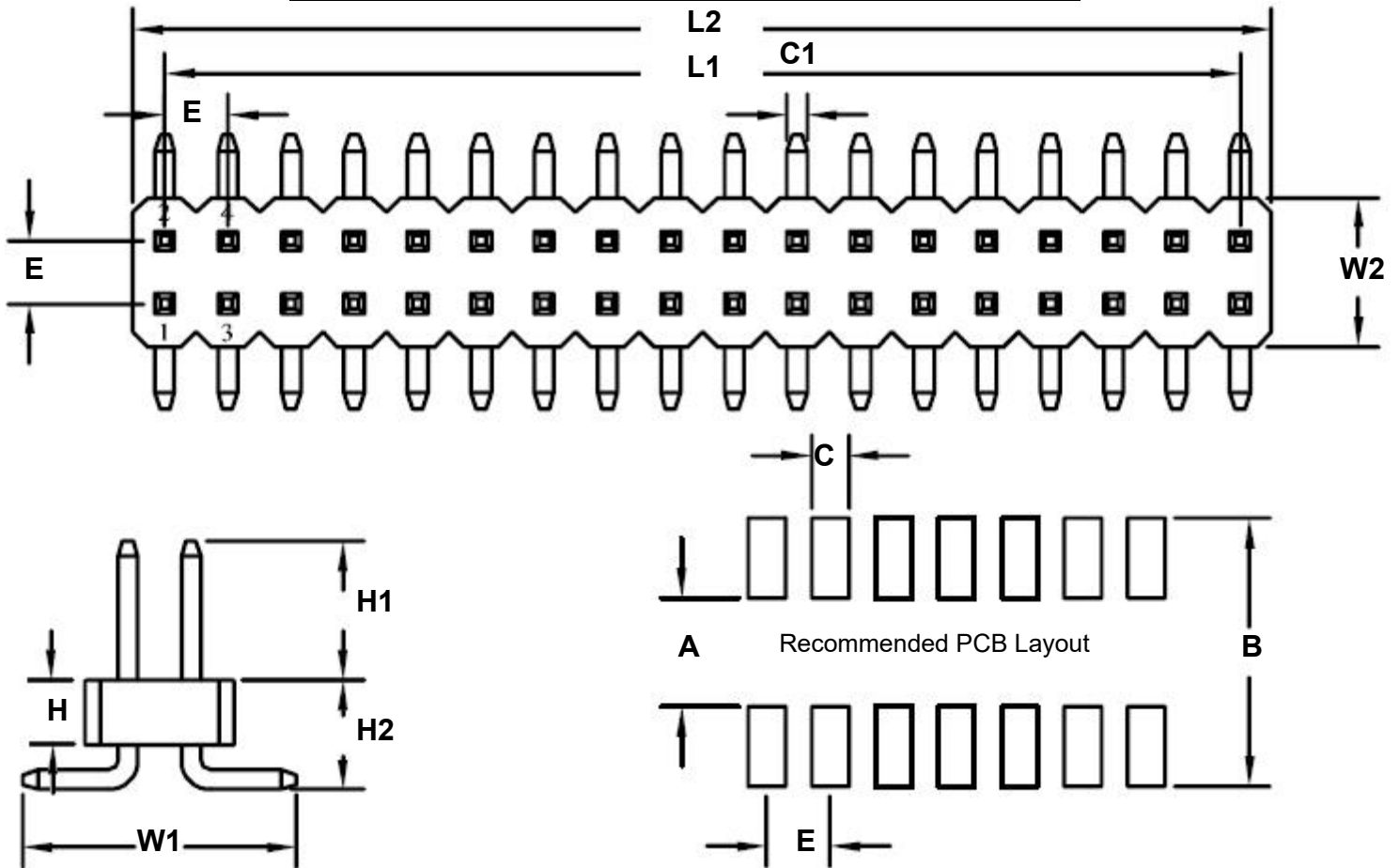


**1.00 mm 80 pin Vertical Male Header Surface Mount Gold**

| REF. | DIMENSIONS |       |      |        |      |      |
|------|------------|-------|------|--------|------|------|
|      | mm         |       |      | inches |      |      |
|      | MIN.       | TYP.  | MAX. | MIN.   | TYP. | MAX. |
| A    |            | 1.20  |      |        |      |      |
| B    |            | 6.20  |      |        |      |      |
| C    |            | 0.56  |      |        |      |      |
| C1   |            | 0.30  |      |        |      |      |
| E    |            | 1.00  |      |        |      |      |
| H    |            | 1.50  |      |        |      |      |
| H1   |            | 1.90  |      |        |      |      |
| H2   |            | 1.90  |      |        |      |      |
| L1   |            | 39.00 |      |        |      |      |
| L2   |            | 40.00 |      |        |      |      |
| W1   |            | 5.20  |      |        |      |      |
| W2   |            | 3.17  |      |        |      |      |



## **SPECIFICATIONS**

Plastic body construction: PA6T plastic (320°C melting point)

Pin construction: Gold plated (brass pin, with 1um gold over 50um nickel)

Operating temperature range: -40°C to +130°C

Reflow maximum temperature: +260°C