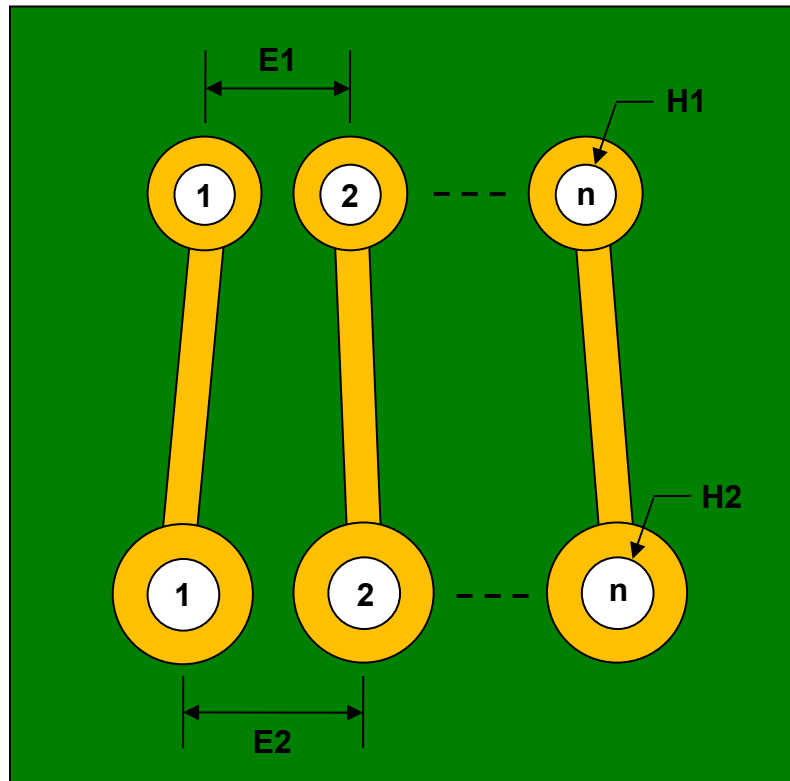


## Pitch Changer 3.96mm to 2.54mm conversion - 6 Pin

REF.	DIMENSIONS						Pin Count
	mm			inches			
	MIN.	TYP.	MAX.	MIN.	TYP.	MAX.	
E1		3.96					
E2		2.54					
H1		3.06					
H2		1.00					
n							6

Top View (TH Footprints)



(Representative drawing only - not to scale)

### Part Number Coding

